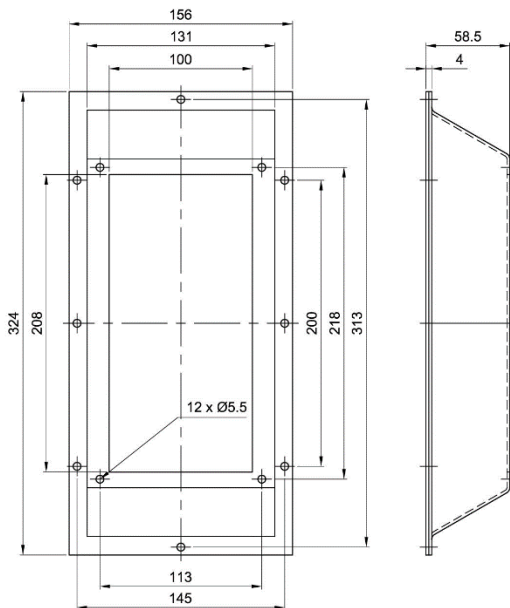


EPSFA-50-A

Datasheet



Dimensions:



Technical data:

Weight	0,8 kg
Operating temperature range	-40 .. +120 °C
Suitable for devices	EPMS-50-A
Certificates	CE

