

# EPAC-200-B

## Datasheet

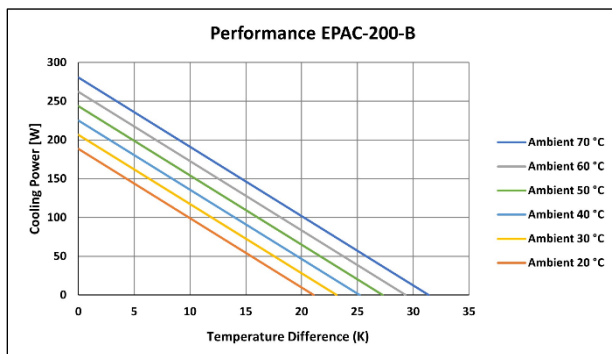


### Technical data:

Supply voltage	90..305 V-AC, 47-63 Hz, 127-431 V-DC
Rated input	293 W
Weight	14 kg
Cooling power (L35/L35)	214 W
Noise (outside part)	60 dB(A)
Degree of protection (outside part)	IP67
Degree of protection (inside part)	IP20
Operating temperature range	-10 .. +70 °C (external fans working) -40 .. +70 °C (external fans stopped)
MTBF	69000 h min.
Alarm-contact	max. 250 V-AC / 30 V-DC max. 5 A
Alarm-temperature	80°C +/- 5°C heatsink-temperature
Emergency-shutdown-temperature	90°C +/- 5°C heatsink-temperature
Certificates	CE



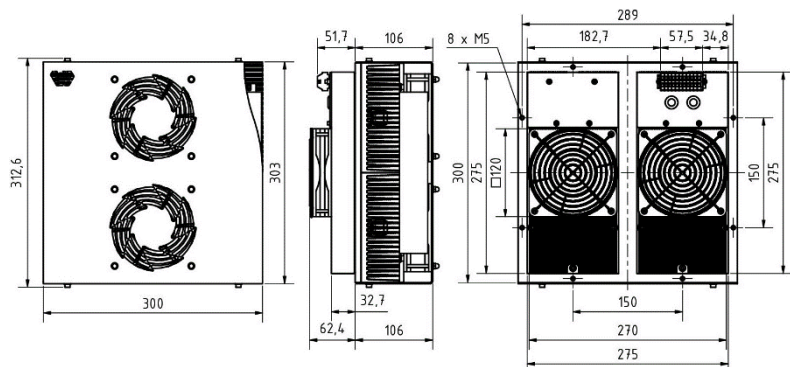
### Performance:



### Terminals:

Terminal	Connection
1	Voltage output (+ 24 V-DC)
2	Voltage output (0 V)
3	Peltier-Modules (+ 24 V-DC)
4	Peltier-Modules (0 V)
5	External Fan (+ 24 V-DC)
6	Internal Fan (+ 24 V-DC)
7	NC-Alarm-Contact (potential free)
8	NC-Alarm-Contact (potential free)
9	L - Supply voltage (90..305 V-AC)
10	N - Supply voltage (90..305 V-AC)
11	Ground

### Dimensions:



The terminals 1, 3, 5 and 6 as well as the terminals 2 and 4 are bridged at the delivery status. (The device runs in cooling mode after creating the supply voltage.) To use the device for cooling and for heating, a suitable controller is necessary. Remove both bridges and connect the terminals 1 and 2 to the controller input. Connect the controller output to the terminals 3 to 6 according to the table beside. Terminals: WAGO 260 series, spring-type terminal 0,5 ..1,5 mm<sup>2</sup>.