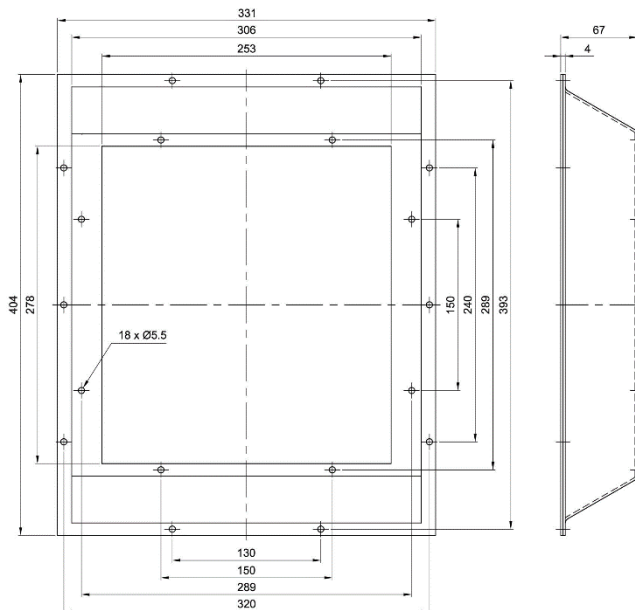


# EPSFA-200-A

## Datasheet



### Dimensions:



### Technical data:

Weight	1,6 kg
Operating temperature range	-40 .. +120 °C
Suitable for devices	EPDC-200-A, EPAC-200-A
Certificates	CE

