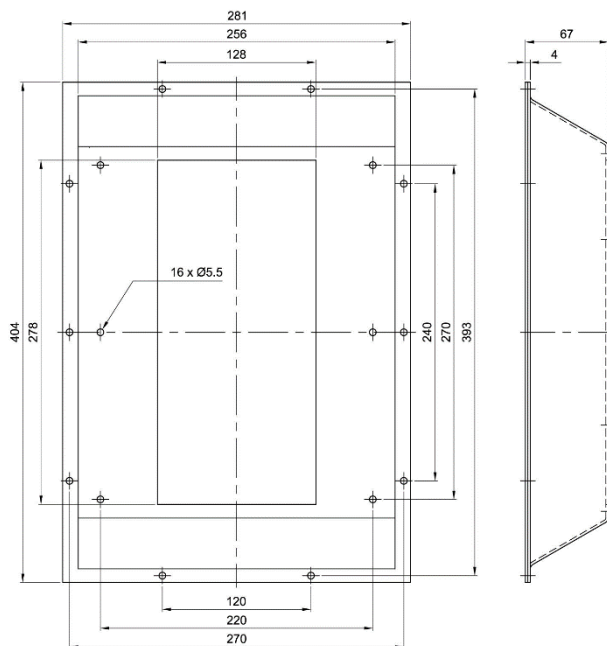


# EPSFC-50-A

## Datasheet



### Dimensions:



### Technical data:

Weight	1,7 kg
Operating temperature range	-40 .. +120 °C
Suitable for devices	EPFDC-50-A, EPFAC-50-A
Certificates	CE

