

EPDC-200-A

Datasheet

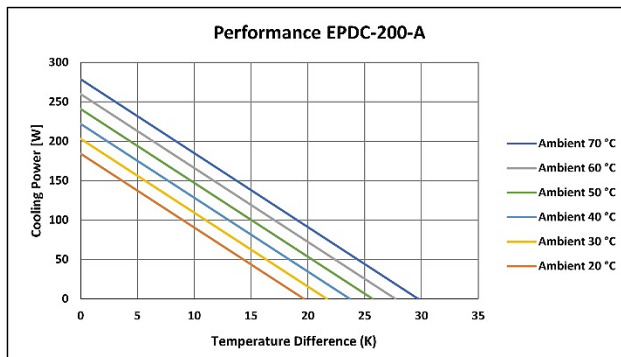


Technical data:

Supply voltage	24 V-DC
Rated input	295 W
Weight	13 kg
Cooling power (L35/L35)	212 W
Noise (outside part)	60 dB(A)
Degree of protection (outside part)	IP67
Degree of protection (inside part)	IP20
Operating temperature range	-20 .. +70 °C
MTBF	85000 h min.
Alarm-contact	max. 250 V-AC / 30 V-DC max. 5 A
Alarm-temperature	80°C +/- 5°C heatsink-temperature
Emergency-shutdown-temperature	90°C +/- 5°C heatsink-temperature
Certificates	CE



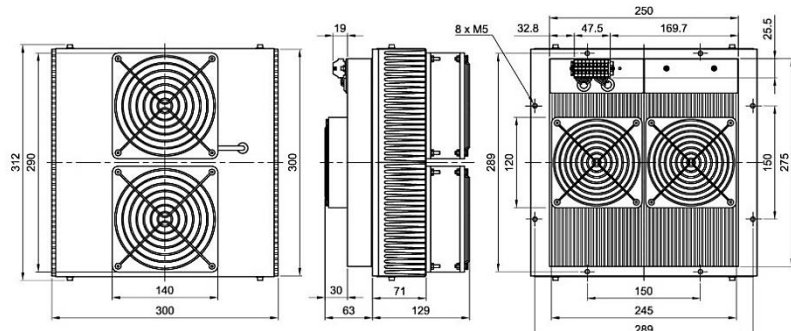
Performance:



Terminals:

Terminal	Connection
1	Peltier-Modules (+ 24 V-DC)
2	Peltier-Modules (0 V)
3	External Fans (+ 24 V-DC)
4	External Fans (0 V)
5	Internal Fans (+ 24 V-DC)
6	Internal Fans (0 V)
7	NC-Alarm-Contact (potential free)
8	NC-Alarm-Contact (potential free)
9	Ground

Dimensions:



Terminals WAGO 260 series, spring-type terminal 0,5 ..1,5 mm²